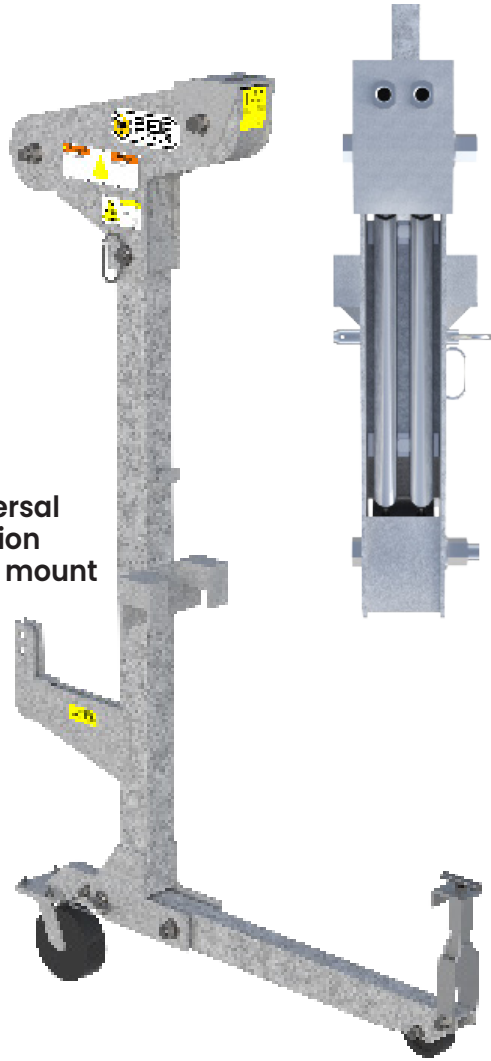
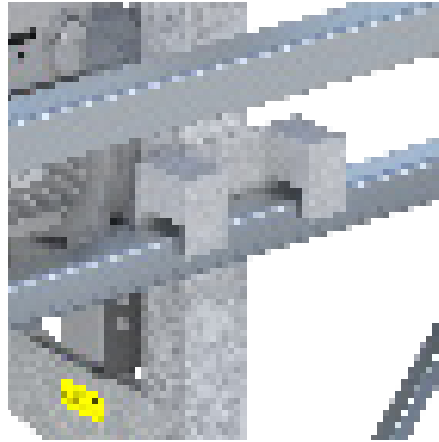


# LOW PROFILE C-STIRRUP

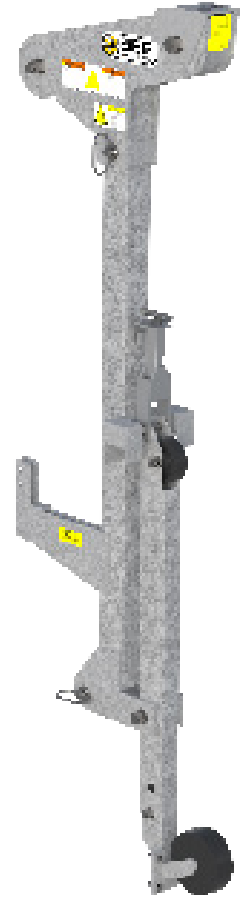
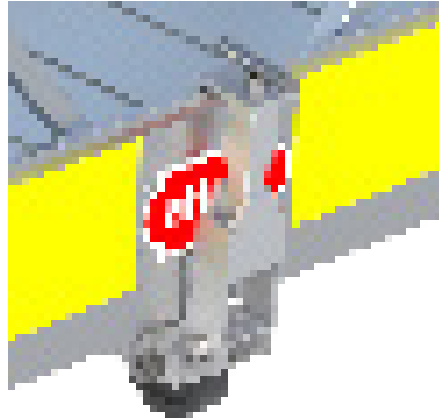
Universal traction hoist mount



Aluminum tubes guide the wire rope for effortless reeving. Aluminum reeve bracket with locknut-type inlet cable guides.



No tools necessary to install



Fold-up and modular design for easy handling, storage and transportation. Fits through 18" openings, perfect for boilers.

## DESCRIPTION

The low profile walk through stirrup's narrow design provides the greatest degree of versatility when aligning with suspension cables and mounting to the platform. The low profile design allows workers the ability to complete tasks on the uppermost part of a structure. The universal hoist mount on the back of the stirrup allows for maximum working space inside the platform while still allowing for easy access to hoist controls.

**Other features include:**

- Fold-up design for easier storage and transportation
- Integrated caster for easier installation & movement
- Compact size fits through 18" diameter openings.

## SPECIFICATIONS

**Part No.:** 934106

**Load Capacity:** 1,500 lb

**Dimensions:**

Default: 72.94" x 8.25" x 44.13" (HxWxD)

Collapsed: 81.57" x 8.25" x 19.75" (HxWxD)

**Weight:** 126 lb

**Construction:** Steel

**Finish:** Galvanized

**Pulleys:** Double Groove Sheave with Stainless Steel Bearings